

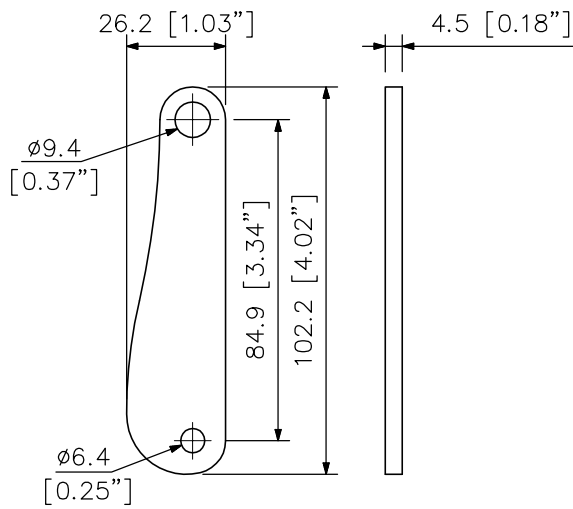
DESCRIPTION

By using three HY-60DB brackets, the directivity angle mode of the HX-7B can be changed to 60° mode. It is also possible to change the directivity angle mode to 15° mode, 30° mode, or 45° mode.

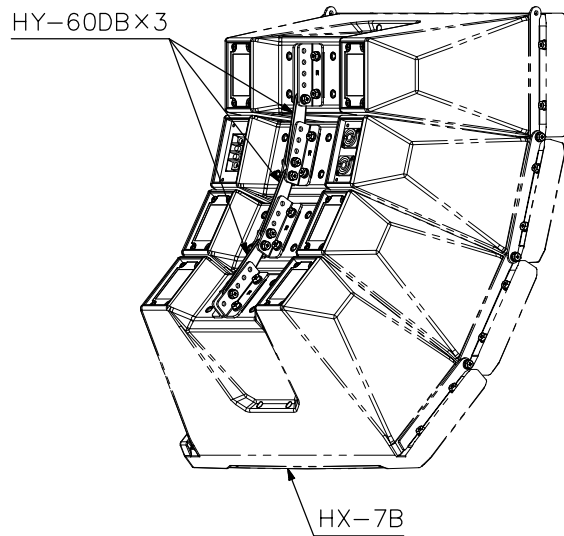
SPECIFICATIONS

| | |
|--------|---------------------------------------|
| Finish | Steel plate, black, semi-gloss, paint |
| Weight | 70 g (0.15 lb) |

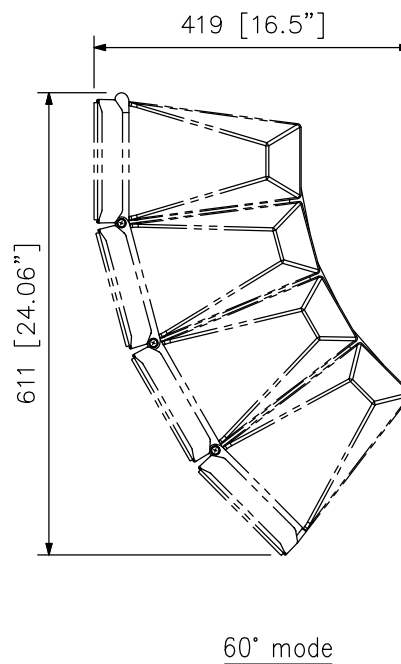
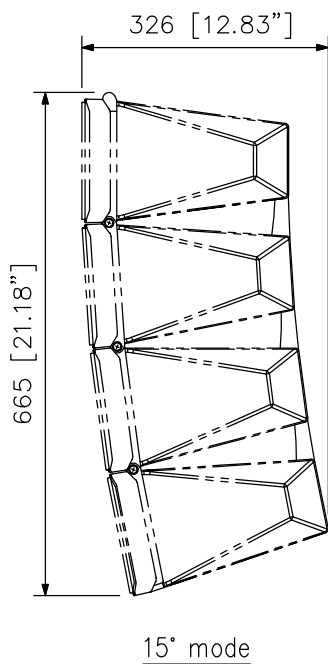
APPEARANCE



Mounting example (scale: 1/10)



Example for directivity angle modes (scale: 1/10)



UNIT: mm SCALE: 1/2